

# Bemaßung Tempergussfittings

Stand 04.03.15

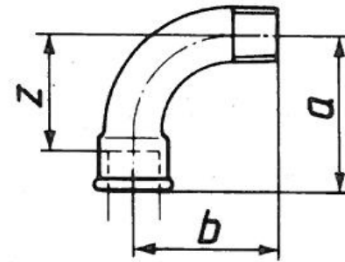
## 1-ISO/EN G4

a	b
---	---

z
---

DN 6	1/8"	35	32
DN 8	1/4"	40	36
DN 10	3/8"	48	42
DN 15	1/2"	55	48
DN 20	3/4"	69	60
DN 25	1"	85	75
DN 32	1 1/4"	105	95
DN 40	1 1/2"	116	105
DN 50	2"	140	130
DN 65	2 1/2"	176	165
DN 80	3"	205	190
DN 100	4"	260	245

28
30
38
42
54
88
86
97
116
149
175
224



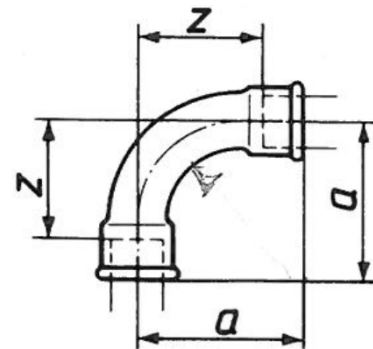
## 2-ISO/EN G1

a
---

z
---

DN 8	1/4"	40
DN 10	3/8"	48
DN 15	1/2"	55
DN 20	3/4"	69
DN 25	1"	85
DN 32	1 1/4"	105
DN 40	1 1/2"	116
DN 50	2"	140
DN 65	2 1/2"	176
DN 80	3"	205
DN 100	4"	260

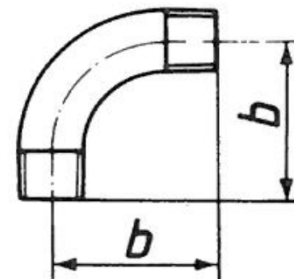
30
38
42
54
88
86
97
116
149
175
224



## 3-ISO/EN G8

b
---

DN 10	3/8"	42
DN 15	1/2"	48
DN 20	3/4"	60
DN 25	1"	75
DN 32	1 1/4"	95
DN 40	1 1/2"	105
DN 50	2"	130



# Bemaßung Tempergussfittings

Stand 04.03.15

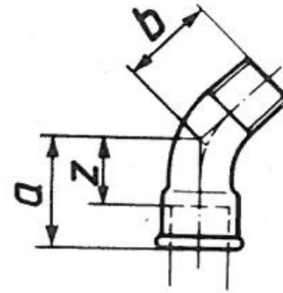
## 40-ISO/EN G4 45°

a	b
---	---

z
---

DN 8	1/4"	26	21
DN 10	3/8"	30	24
DN 15	1/2"	36	30
DN 20	3/4"	43	36
DN 25	1"	51	42
DN 32	1 1/4"	64	54
DN 40	1 1/2"	68	58
DN 50	2"	81	70
DN 65	2 1/2"	99	86
DN 80	3"	113	100

16
20
23
28
34
45
49
57
72
83



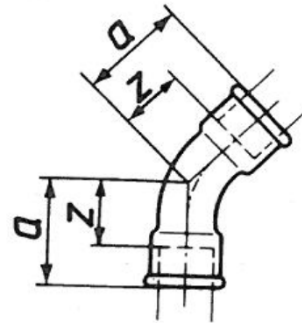
## 41-ISO/EN G4 45°

a
---

z
---

DN 10	3/8"	30
DN 15	1/2"	36
DN 20	3/4"	43
DN 25	1"	51
DN 32	1 1/4"	64
DN 40	1 1/2"	68
DN 50	2"	81
DN 65	2 1/2"	99
DN 80	3"	113

20
23
28
34
45
49
57
72
83



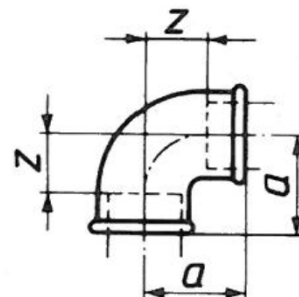
## 90-ISO/EN A1

a
---

z
---

DN 6	1/8"	19
DN 8	1/4"	21
DN 10	3/8"	25
DN 15	1/2"	28
DN 20	3/4"	33
DN 25	1"	38
DN 32	1 1/4"	45
DN 40	1 1/2"	50
DN 50	2"	58
DN 65	2 1/2"	69
DN 80	3"	78
DN 100	4"	96

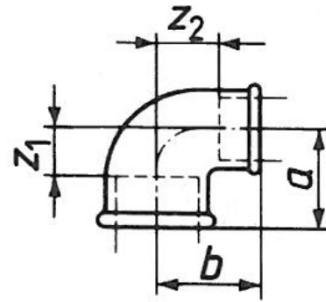
12
11
15
15
18
21
26
31
34
42
48
60



# Bemaßung Tempergussfittings

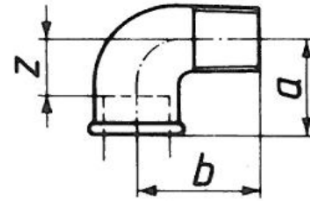
Stand 04.03.15

	a	b	z1	z2
DN 10 x DN 8 3/8x1/4"	23	23	13	13
DN 15 x DN 10 1/2x3/8"	26	26	13	16
DN 20 x DN 10 3/4x3/8"	28	28	13	18
DN 20 x DN 15 3/4x1/2"	30	31	15	18
DN 25 x DN 15 1x1/2"	32	34	15	21
DN 25 x DN 20 1x3/4"	35	36	18	21
DN 32 x DN 20 1 1/4"x3/4"	36	41	14	26
DN 32 x DN 25 1 1/4"x1"	40	42	21	25
DN 40 x DN 25 1 1/2x1"	42	46	23	29
DN 40 x DN 32 1 1/2x1 1/4"	46	48	27	29
DN 50 x DN 40 2x1 1/2"	52	55	28	36
DN 65 x DN 50 2 1/2x2"	61	66	34	42



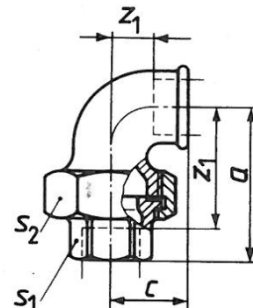
## 92-ISO/EN A4

	a	b	z
DN 6 1/8"	19	25	12
DN 8 1/4"	21	28	11
DN 10 3/8"	25	32	15
DN 15 1/2"	28	37	15
DN 20 3/4"	33	43	18
DN 25 1"	38	52	21
DN 32 1 1/4"	45	60	26
DN 40 1 1/2"	50	65	31
DN 50 2"	58	74	34
DN 65 2 1/2"	69	88	42
DN 80 3"	78	98	48
DN 100 4"	96	118	60



## 95-ISO/EN UA1

	a	c	z1
DN 10 3/8"	52	25	15
DN 15 1/2"	58	28	15
DN 20 3/4"	62	33	18
DN 25 1"	72	38	21
DN 32 1 1/4"	82	45	26
DN 40 1 1/2"	90	50	31
DN 50 2"	100	58	34



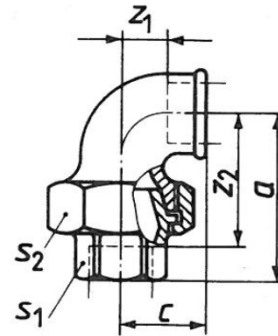
# Bemaßung Tempergussfittings

Stand 04.03.15

## 96-ISO/EN UA11

		a
DN 8	1/4"	48
DN 10	3/8"	52
DN 15	1/2"	58
DN 20	3/4"	62
DN 25	1"	72
DN 32	1 1/4"	82
DN 40	1 1/2"	90
DN 50	2"	100

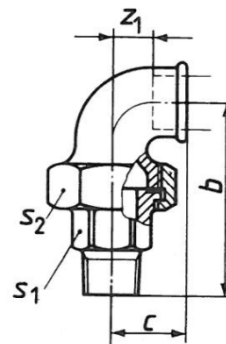
c	z1	z2
21	11	38
25	15	42
28	15	45
33	18	47
38	21	55
45	26	63
50	31	71
58	34	76



## 97-ISO/EN UA2

DN 10	3/8"
DN 15	1/2"
DN 20	3/4"
DN 25	1"
DN 32	1 1/4"
DN 40	1 1/2"
DN 50	2"

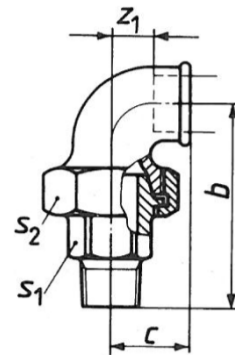
b	c	z1
65	25	15
76	28	15
82	33	18
94	38	21
107	45	26
115	50	31
128	58	34



## 98-ISO/EN UA12

DN 8	1/4"
DN 10	3/8"
DN 15	1/2"
DN 20	3/4"
DN 25	1"
DN 32	1 1/4"
DN 40	1 1/2"
DN 50	2"

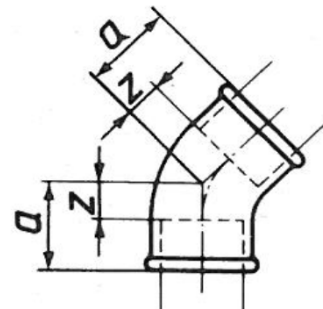
b	c	z1
61	21	11
65	25	15
76	28	15
82	33	18
94	38	21
107	45	26
115	50	31
128	58	34



## 120-ISO/EN A1 45°

		a
DN 10	3/8"	20
DN 15	1/2"	22
DN 20	3/4"	25
DN 25	1"	28
DN 32	1 1/4"	33
DN 40	1 1/2"	38
DN 50	2"	43

z
10
9
10
11
14
17
19



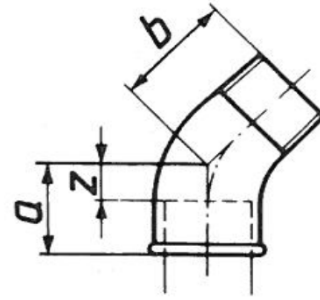
# Bemaßung Tempergussfittings

Stand 04.03.15

## 121-ISO/EN A4 45°

	a	b
DN 10 3/8"	20	25
DN 15 1/2"	22	28
DN 20 3/4"	25	32
DN 25 1"	28	37
DN 32 1 1/4"	33	43
DN 40 1 1/2"	38	46
DN 50 2"	43	55

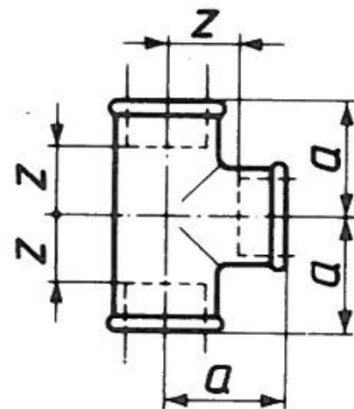
z
10
9
10
11
14
17
19



## 130-ISO/EN B1

	a
DN 6 1/8"	19
DN 8 1/4"	21
DN 10 3/8"	25
DN 15 1/2"	28
DN 20 3/4"	33
DN 25 1"	38
DN 32 1 1/4"	45
DN 40 1 1/2"	50
DN 50 2"	58
DN 65 2 1/2"	69
DN 80 3"	78
DN 100 4"	96

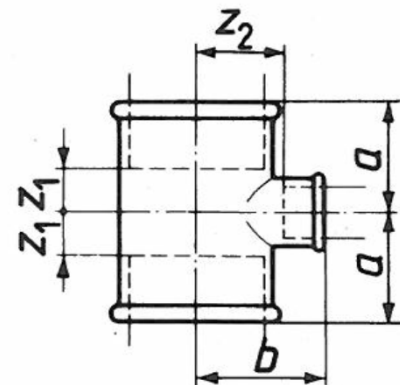
z
12
11
15
15
18
21
26
31
34
42
48
60



## 130-ISO/EN B1

	a	b
DN 15 x 10 (1/2"x3/8")	26	26
DN 20 x 10 (3/4"x3/8")	28	28
DN 20 x 15 (3/4"x1/2")	30	31
DN 25 x 15 (1"x1/2")	32	34
DN 25 x 20 (1"x3/4")	35	36
DN 32 x 15 (1 1/4"x1/2")	34	38
DN 32 x 20 (1 1/4"x3/4")	36	41
DN 32 x 25 (1 1/4"x1")	40	42
DN 40 x 15 (1 1/2"x1/2")	36	42
DN 40 x 20 (1 1/2"x3/4")	38	44
DN 40 x 25 (1 1/2"x1")	42	46
DN 40 x 32 (1 1/2"x1 1/4")	46	48
DN 50 x 15 (2"x1/2")	38	48
DN 50 x 20 (2"x3/4")	34	50
DN 50 x 25 (2"x1")	44	52
DN 50 x 32 (2"x1 1/4")	48	54
DN 50 x 40 (2"x1 1/2")	52	55
DN 65 x 40 (2 1/2"x1 1/2")	55	63
DN 65 x 50 (2 1/2"x2")	61	66

z1	z2
13	16
13	18
15	18
15	21
18	21
15	25
17	26
21	25
17	29
19	29
23	29
27	29
14	35
16	35
20	35
24	35
28	36
28	44
34	42



# Bemaßung Tempergussfittings

Stand 04.03.15

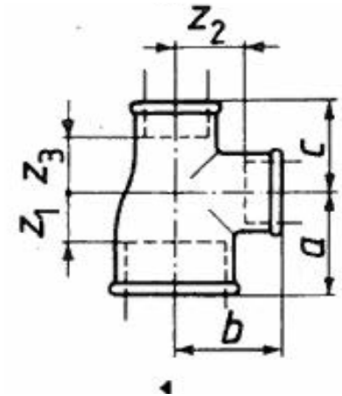
DN 80 x 40 (3"x1 1/2")	58	71
DN 80 x 50 (3"x2")	64	73
DN 80 x 65 (3"x2 1/2")	72	76
130 DN 100 x 80 (4"x3")	84	92

28	52
34	49
42	49
48	62

## 130-ISO/EN B1

a	b	c	z1	z2	z3
---	---	---	----	----	----

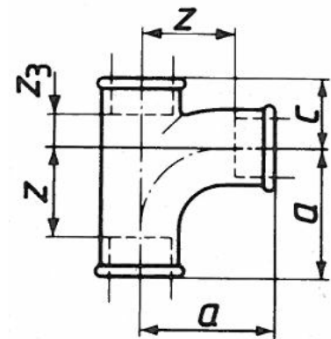
DN 15 x 15 x 10 (1/2"x1/2"x3/8")	28	28	26	15	15	16
DN 15 x 20 x 15 (1/2"x3/4"x1/2")	31	30		18	15	
DN 20 x 15 x 15 (3/4"x1/2"x1/2")	30	31	28	15	18	15
DN 20 x 20 x 15 (3/4"x3/4"x1/2")	33	33	31	18	18	18
DN 20 x 25 x 20 (3/4"x1"x3/4")	36	35		21	18	
DN 25 x 15 x 15 (1"x1/2"x1/2")	32	34	28	15	21	15
DN 25 x 15 x 20 (1"x1/2"x3/4")	32	34	30	15	21	15
DN 25 x 20 x 15 (1"x3/4"x1/2")	35	36	31	18	21	18
DN 25 x 20 x 20 (1"x3/4"x3/4")	35	36	33	18	21	18
DN 25 x 25 x 15 (1"x1"x1/2")	38	38	34	21	21	21
DN 25 x 25 x 20 (1"x1"x3/4")	38	38	36	21	21	21
DN 32 x 25 x 25 (1 1/4"x1"x1")	40	42	38	21	25	21
DN 32 x 32 x 25 (1 1/4"x1 1/4"x1")	45	45	42	26	26	25
DN 40 x 40 x 32 (1 1/2"x1 1/2"x1 1/4")	50	50	48	31	31	29



## 131-ISO/EN E1

a	b	z	z3
---	---	---	----

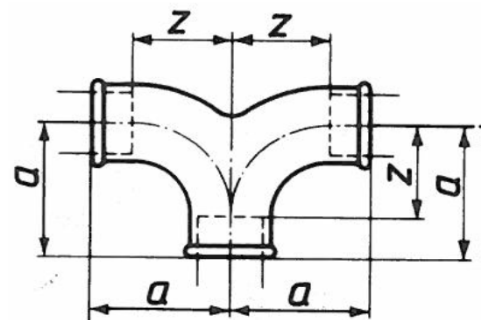
TF v Bogen T 131 DN 15 (1/2")	45	24	32	11
TF v Bogen T 131 DN 20 (3/4")	50	28	35	13
TF v Bogen T 131 DN 25 (1")	63	33	46	16
TF v Bogen T 131 DN 32 (1 1/4")	76	40	57	21
TF v Bogen T 131 DN 40 (1 1/2")	85	43	66	24
TF v Bogen T 131 DN 50 (2")	102	53	78	29



## 132-ISO/EN E2

a	z
---	---

TF v Bogen T 131 DN 15 (1/2")	45	32
TF v Bogen T 131 DN 20 (3/4")	50	35
TF v Bogen T 131 DN 25 (1")	63	46
TF v Bogen T 131 DN 32 (1 1/4")	76	57
TF v Bogen T 131 DN 40 (1 1/2")	85	66
TF v Bogen T 131 DN 50 (2")	102	78



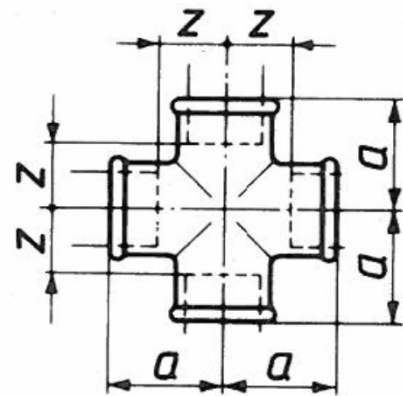
## 180-ISO/EN C1

a

z

DN 8	1/4"	21
DN 10	3/8"	25
DN 15	1/2"	28
DN 20	3/4"	33
DN 25	1"	38
DN 32	1 1/4"	45
DN 40	1 1/2"	50
DN 50	2"	58
DN 65	2 1/2"	69
DN 80	3"	78
DN 100	4"	96

11
15
15
18
21
26
31
34
42
48
60



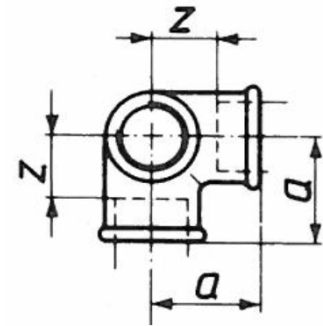
## 221-ISO/EN Za1

a

z

DN 10	3/8"	25
DN 15	1/2"	28
DN 20	3/4"	33
DN 25	1"	38
DN 32	1 1/4"	45
DN 40	1 1/2"	50
DN 50	2"	58

15
15
18
21
26
31
34



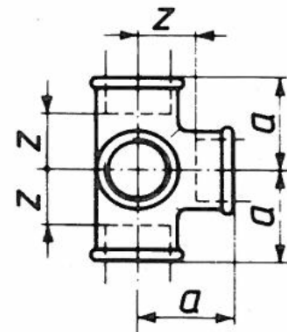
## 223-ISO/EN Za2

a

z

DN 15	1/2"	28
DN 20	3/4"	33
DN 25	1"	38

15
18
21



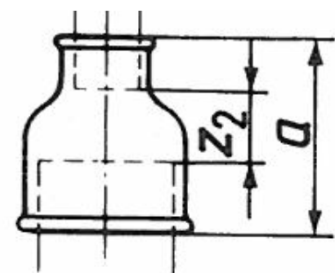
## 240 - ISO/EN M2

a

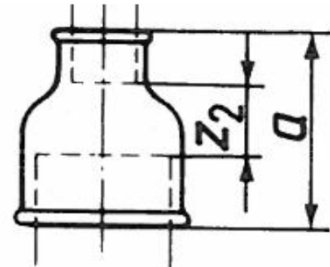
z2

DN 8 x 6 (1/4"x1/8")	27
DN 10 x 6 (3/8"x1/8")	30
DN 10 x 8 (3/8"x1/4")	30
DN 15 x 8 (1/2"x1/4")	36
DN 15 x 10 (1/2"x3/8")	36
DN 20 x 8 (3/4"x1/4")	39
DN 20 x 10 (3/4"x3/8")	39
DN 20 x 15 (3/4"x1/2")	39
DN 25 x 10 (1"x3/8")	45
DN 25 x 15 (1"x1/2")	45

10
13
10
13
13
13
14
14
11
18
15



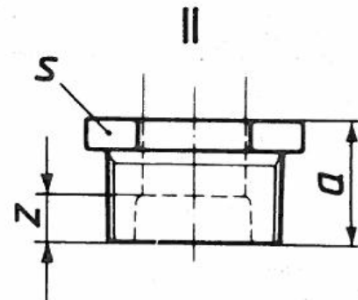
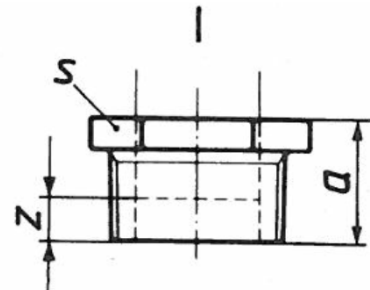
DN 25 x 20 (1"x3/4")	45	13
DN 32 x 10 (1 1/4"x3/8")		
DN 32 x 15 (1 1/4"x1/2")	50	18
DN 32 x 20 (1 1/4"x3/4")	50	16
DN 32 x 25 (1 1/4"x1")	50	14
DN 40 x 15 (1 1/2"x1/2")	55	23
DN 40 x 20 (1 1/2"x3/4")	55	21
DN 40 x 25 (1 1/2"x1")	55	19
DN 40 x 32 (1 1/2"x1 1/4")	55	17
DN 50 x 15 (2"x1/2")	65	28
DN 50 x 20 (2"x3/4")	65	26
DN 50 x 25 (2"x1")	65	24
DN 50 x 32 (2"x1 1/4")	65	22
DN 50 x 40 (2"x1 1/2")	65	22
DN 65 x 25 (2 1/2"x1")		
DN 65 x 50 (2 1/2"x2")	74	23
DN 80 x 50 (3"x2")	80	26
DN 80 x 65 (3"x2 1/2")	80	23
DN 100 x 80 (4"x3")	94	28



## 241 – ISO/EN N4

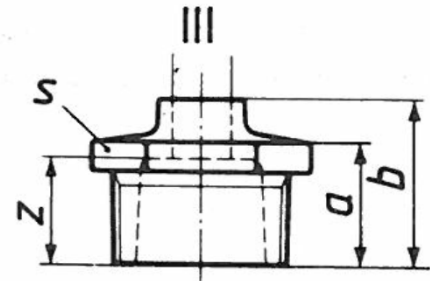
a	b	Form	z
---	---	------	---

DN 8 x 6 (1/4"x1/8")	20		I	13
DN 10 x 6 (3/8"x1/8")	20		II	13
DN 10 x 8 (3/8"x1/4")	20		I	10
DN 15 x 8 (1/2"x1/4")	24		II	14
DN 15 x 10 (1/2"x3/8")	24		I	14
DN 20 x 8 (3/4"x1/4")	26		II	16
DN 20 x 10 (3/4"x3/8")	26		II	16
DN 20 x 15 (3/4"x1/2")	26		I	13
DN 25 x 8 (1"x1/4")	29		II	19
DN 25 x 10 (1"x3/8")	29		II	19
DN 25 x 15 (1"x1/2")	29		II	16
DN 25 x 20 (1"x3/4")	29		I	14
DN 32 x 10 (1 1/4"x3/8")	31		II	21
DN 32 x 15 (1 1/4"x1/2")	31		II	18
DN 32 x 20 (1 1/4"x3/4")	31		II	16
DN 32 x 25 (1 1/4"x1")	31		I	14
DN 40 x 10 (1 1/2"x3/8")	31		II	21
DN 40 x 15 (1 1/2"x1/2")	31		II	18
DN 40 x 20 (1 1/2"x3/4")	31		II	16
DN 40 x 25 (1 1/2"x1")	31		II	14
DN 40 x 32 (1 1/2"x1 1/4")	31		I	12
DN 50 x 15 (2"x1/2")	35	48	III	35
DN 50 x 20 (2"x3/4")	35	48	III	33
DN 50 x 25 (2"x1")	35		II	18





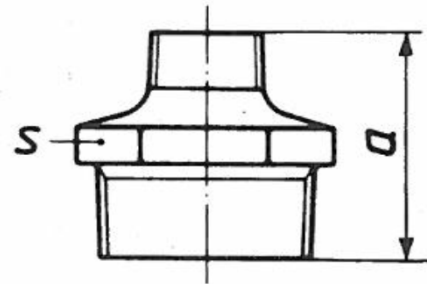
DN 50 x 32 (2"x11/4")	35		II	16
DN 50 x 40 (2"x11/2")	35		II	16
DN 65 x 25 (2 1/2"x1")	40	54	III	37
DN 65 x 32 (2 1/2"x1 1/4")	40	54	III	35
DN 65 x 40 (2 1/2"x1 1/2")	40		II	21
DN 65 x 50 (2 1/2"x2")	40		II	16
DN 80 x 20 (3"x3/4")				
DN 80 x 25 (3"x1")	44	59	III	42
DN 80 x 32 (3"x1 1/4")	44	59	III	40
DN 80 x 40 (3"x1 1/2")	44	59	III	40
DN 80 x 50 (3"x2")	44		II	20
DN 80 x 65 (3"x2 1/2")	44		II	17
DN 100 x 40 (4"x1 1/2")				
DN 100 x 50 (4"x2")	51	69	III	45
DN 100 x 65 (4"x2 1/2")	51	69	III	42
DN 100 x 80 (4"x3")	51		II	21



## 245 – ISO/EN N8

a

DN 8 x 6 (1/4"x1/8")	
DN 10 x 6 (3/8"x1/8")	
DN 10 x 8 (3/8"x1/4")	
DN 15 x 8 (1/2"x1/4")	44
DN 15 x 10 (1/2"x3/8")	44
DN 20 x 10 (3/4"x3/8")	47
DN 20 x 15 (3/4"x1/2")	47
DN 25 x 10 (1"x3/8")	
DN 25 x 15 (1"x1/2")	53
DN 25 x 20 (1"x3/4")	53
DN 32 x 20 (1 1/4"x3/4")	57
DN 32 x 25 (1 1/4"x1")	57
DN 40 x 15 (1 1/2"x1/2")	
DN 40 x 20 (1 1/2"x3/4")	59
DN 40 x 25 (1 1/2"x1")	59
DN 40 x 32 (1 1/2"x1 1/4")	59
DN 50 x 25 (2"x1")	68
DN 50 x 32 (2"x1 1/4")	68
DN 50 x 40 (2"x1 1/2")	68
DN 65 x 50 (2 1/2"x2")	75
DN 80 x 50 (3"x2")	83
DN 80 x 65 (3"x2 1/2")	83



# Bemaßung Tempergussfittings

Stand 04.03.15

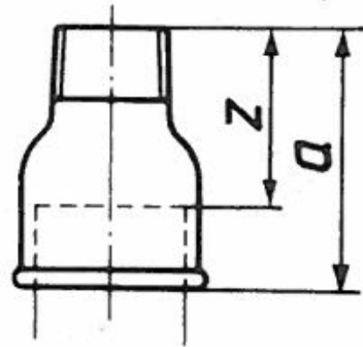
## 246 – ISO/EN M4

a

z

DN 8 x 6 (1/4"x1/8")	
DN 10 x 8 (3/8"x1/4")	35
DN 15 x 8 (1/2"x1/4")	43
DN 15 x 10 (1/2"x3/8")	43
DN 20 x 10 (3/4"x3/8")	48
DN 20 x 15 (3/4"x1/2")	48
DN 25 x 15 (1"x1/2")	55
DN 25 x 20 (1"x3/4")	55
DN 32 x 20 (1 1/4"x3/4")	60
DN 32 x 25 (1 1/4"x1")	60
DN 40 x 20 (1 1/2"x3/4")	
DN 40 x 25 (1 1/2"x1")	63
DN 40 x 32 (1 1/2"x1 1/4")	63
DN 50 x 25 (2"x1")	
DN 50 x 32 (2"x1 1/4")	70
DN 50 x 40 (2"x1 1/2")	70

25
30
30
33
33
38
38
41
41
44
44
46
46



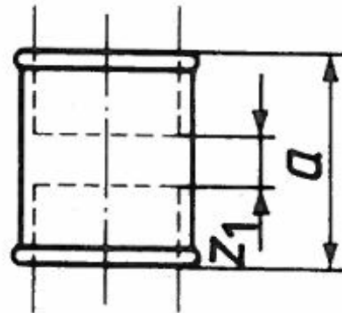
## 270 – ISO/EN M2

a

z

DN 6 1/8"	25
DN 8 1/4"	27
DN 10 3/8"	30
DN 15 1/2"	36
DN 20 3/4"	39
DN 25 1"	45
DN 32 1 1/4"	50
DN 40 1 1/2"	55
DN 50 2"	65
DN 65 2 1/2"	74
DN 80 3"	80
DN 100 4"	94

11
7
10
10
9
11
12
17
17
20
20
22



# Bemaßung Tempergussfittings

Stand 04.03.15

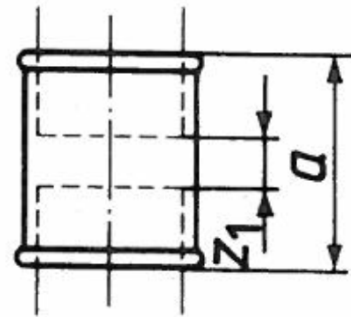
## 271 – ISO/EN M2 RL

a

z

DN 6	1/8"	25
DN 8	1/4"	27
DN 10	3/8"	30
DN 15	1/2"	36
DN 20	3/4"	39
DN 25	1"	45
DN 32	1 1/4"	50
DN 40	1 1/2"	55
DN 50	2"	65
DN 65	2 1/2"	74
DN 80	3"	80

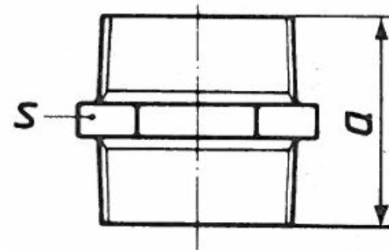
11
7
10
10
9
11
12
17
17
20
20



## 280 – ISO/EN N8

a

DN 6	1/8"	29
DN 8	1/4"	36
DN 10	3/8"	38
DN 15	1/2"	44
DN 20	3/4"	47
DN 25	1"	53
DN 32	1 1/4"	57
DN 40	1 1/2"	59
DN 50	2"	68
DN 65	2 1/2"	75
DN 80	3"	83
DN 100	4"	95

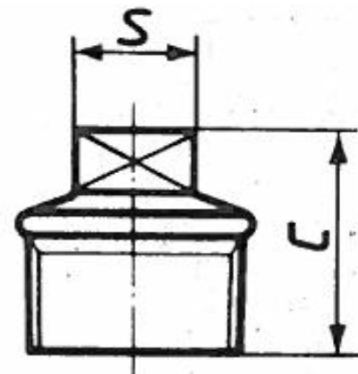


## 290 – ISO/EN T9

c

DN 6	1/8"
DN 8	1/4"
DN 10	3/8"
DN 15	1/2"
DN 20	3/4"
DN 25	1"
DN 32	1 1/4"
DN 40	1 1/2"
DN 50	2"
DN 65	2 1/2"
DN 80	3"
DN 100	4"

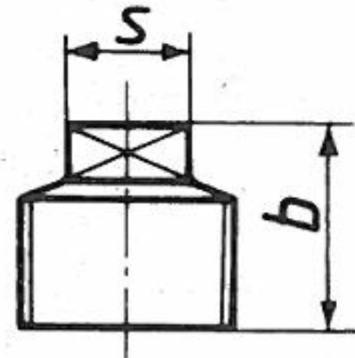
20
22
24
26
32
36
39
41
48
54
60
70



## 291 – ISO/EN T8

b

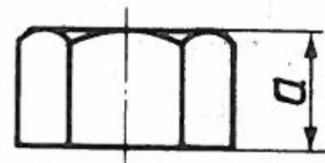
DN 6	1/8"	11
DN 8	1/4"	14
DN 10	3/8"	15
DN 15	1/2"	18
DN 20	3/4"	20
DN 25	1"	23
DN 32	1 1/4"	29
DN 40	1 1/2"	30
DN 50	2"	36
DN 65	2 1/2"	39
DN 80	3"	44
DN 100	4"	58



## 300 – ISO/EN T1

a

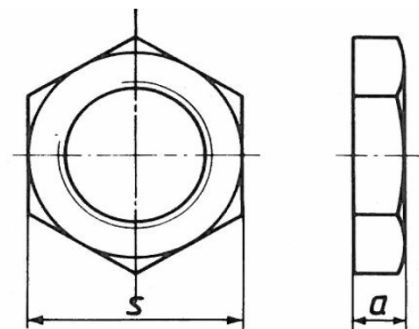
DN 6	1/8"	13
DN 8	1/4"	15
DN 10	3/8"	17
DN 15	1/2"	19
DN 20	3/4"	22
DN 25	1"	24
DN 32	1 1/4"	27
DN 40	1 1/2"	27
DN 50	2"	32
DN 65	2 1/2"	35
DN 80	3"	38
DN 100	4"	45



## 310 – ISO/EN P4

a

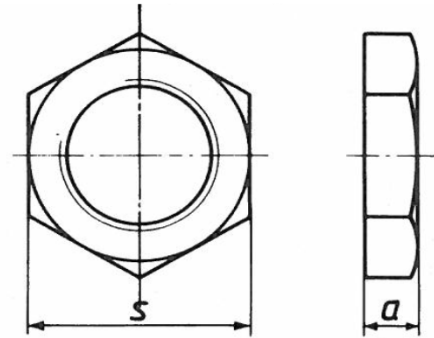
DN 8	1/4"	6
DN 10	3/8"	7
DN 15	1/2"	8
DN 20	3/4"	9
DN 25	1"	10
DN 32	1 1/4"	11
DN 40	1 1/2"	12
DN 50	2"	13



## 312 – ISO/EN P4

a

DN 10	3/8"	7
DN 15	1/2"	8
DN 20	3/4"	9
DN 25	1"	10
DN 32	1 1/4"	11
DN 40	1 1/2"	12
DN 50	2"	13
DN 65	2 1/2"	16
DN 80	3"	19
DN 100	4"	



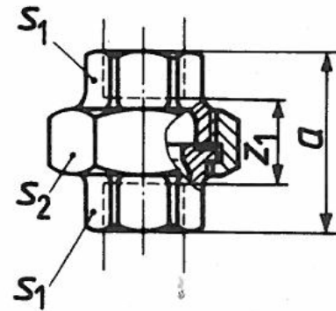
## 330 – ISO/EN U1

a

z1

DN 10	3/8"	45
DN 15	1/2"	48
DN 20	3/4"	52
DN 25	1"	58
DN 32	1 1/4"	65
DN 40	1 1/2"	70
DN 50	2"	78
DN 65	2 1/2"	85

25
22
22
24
27
32
30
31



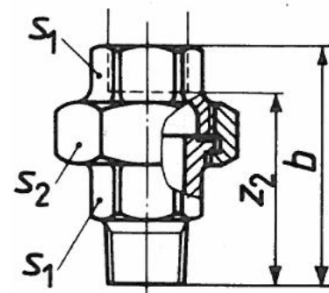
## 331 – ISO/EN U2

b

z2

DN 10	3/8"	
DN 15	1/2"	58
DN 20	3/4"	66
DN 25	1"	72
DN 32	1 1/4"	80
DN 40	1 1/2"	90
DN 50	2"	95

48
53
57
63
71
76



# Bemaßung Tempergussfittings

Stand 04.03.15

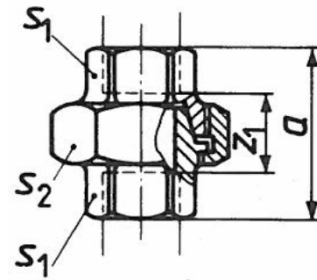
## 340 – ISO/EN U11

a

z1

DN 10	3/8"	45
DN 15	1/2"	48
DN 20	3/4"	52
DN 25	1"	58
DN 32	1 1/4"	65
DN 40	1 1/2"	70
DN 50	2"	78
DN 65	2 1/2"	85
DN 80	3"	95
DN 100	4"	110

25
22
22
24
27
32
30
31
35
38



## 341 – ISO/EN U12

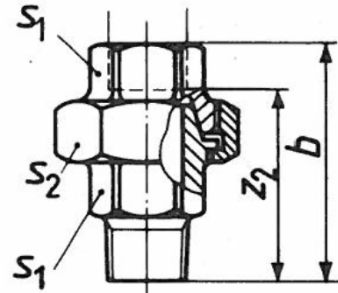
b

z2

DN 8	1/4"	55
DN 10	3/8"	58
DN 15	1/2"	66
DN 20	3/4"	72
DN 25	1"	80
DN 32	1 1/4"	90
DN 40	1 1/2"	95
DN 50	2"	106
DN 65	2 1/2"	118
DN 80	3"	130

55
58
66
72
80
90
95
106
118
130

45
48
53
57
63
71
76
82
91
##



## 529a – ISO/EN M4

a

z

DN 10	3/8"	35
DN 15	1/2"	43
DN 20	3/4"	48
DN 25	1"	55
DN 32	1 1/4"	60
DN 40	1 1/2"	
DN 50	2"	

25
30
33
38
41

